



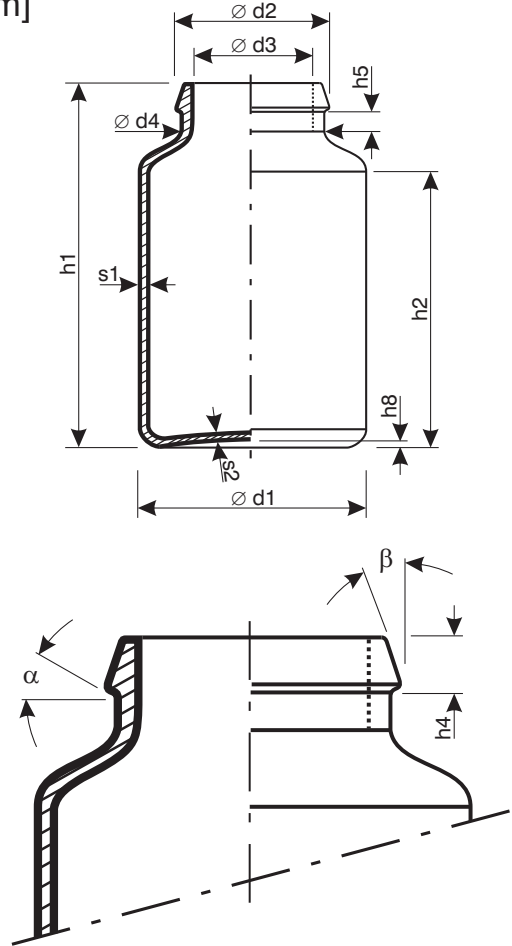
RFQ FORM
Tablet containers vial



Customer		Capacity [ml]			
Glass type	Clear <input type="checkbox"/>	Amber <input type="checkbox"/>	Printed <input type="checkbox"/>	Unprinted <input type="checkbox"/>	
Blow Back	NO <input type="checkbox"/>	YES (European Style) <input type="checkbox"/>		YES (US Style) <input type="checkbox"/>	
External sil.	YES <input type="checkbox"/>	NO <input type="checkbox"/>	Internal treatment	NA <input type="checkbox"/>	SIL <input type="checkbox"/> SULPH <input type="checkbox"/>

Dimensions [mm]

	min	max
d1		
d2		
d3		
d4		
h1		
h2		
h4		
h5		
h8		
s1		
s2		
α		
β		



Trays

- Material:	carton <input type="checkbox"/>	plastic <input type="checkbox"/>	
- Type:	only bottom <input type="checkbox"/>	bottom + top <input type="checkbox"/>	
- Closure method:	shrink wrapped <input type="checkbox"/>	gummed paper <input type="checkbox"/>	adhesive tape <input type="checkbox"/>

Packaging

Pallet

- Material:	wood <input type="checkbox"/>	plastic <input type="checkbox"/>	aluminum <input type="checkbox"/>
- Type:	EUR <input type="checkbox"/>	EUR EPAL <input type="checkbox"/>	EUR EPAL ISPM-15 <input type="checkbox"/>
- Dimension:	80x120 cm <input type="checkbox"/>	100x120 cm <input type="checkbox"/>	other <input type="checkbox"/>
- Height max:	105 cm <input type="checkbox"/>	115 cm <input type="checkbox"/>	other <input type="checkbox"/>

Transportation

- Type:	track <input type="checkbox"/>	container <input type="checkbox"/>
- Double stacking allowed:	YES <input type="checkbox"/>	NO <input type="checkbox"/>

Date