



**RFQ FORM**  
*Pilfer-proof vial*



Customer

Capacity [ml]

Glass type .....

Clear

Amber

Printed

Unprinted

External sil.

YES

NO

Internal treatment

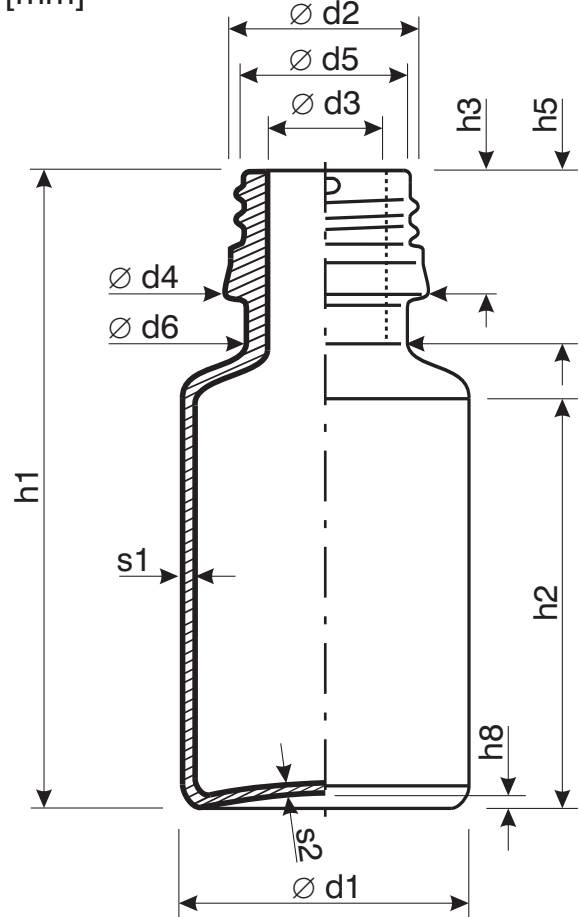
NA

SIL

SULPH

**Dimensions [mm]**

	min	max
d1		
d2		
d3		
d4		
d5		
d6		
h1		
h2		
h3		
h5		
h8		
s1		
s2		



**Packaging**

**Trays**

- Material: carton  plastic
- Type: only bottom  bottom + top
- Closure method: shrink wrapped  gummed paper  adhesive tape

**Pallet**

- Material: wood  plastic  aluminum
- Type: EUR  EUR EPAL  EUR EPAL ISPM-15
- Dimension: 80x120 cm  100x120 cm  other .....
- Height max: 105 cm  115 cm  other .....

**Transportation**

- Type: track  container
- Double stacking allowed: YES  NO

Date