



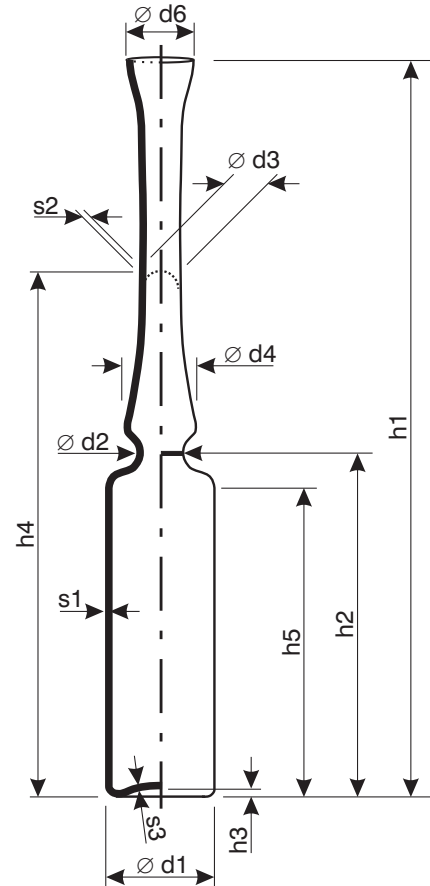
**RFQ FORM**  
Open-funnel ampoule - Form B or similar



Customer			Capacity [ml]		
Glass type .....		Clear <input type="checkbox"/>	Amber <input type="checkbox"/>	Printed <input type="checkbox"/>	Unprinted <input type="checkbox"/>
Colour Break <input type="checkbox"/>	OPC <input type="checkbox"/>	Score Break <input type="checkbox"/>	Code rings	NA <input type="checkbox"/>	1 <input type="checkbox"/> 2 <input type="checkbox"/>
External sil.	YES <input type="checkbox"/> NO <input type="checkbox"/>	Internal treatment	NA <input type="checkbox"/>	SIL <input type="checkbox"/>	SULPH <input type="checkbox"/>

**Dimensions [mm]**

	min	max
d1 .....		
d2 .....		
d3 .....		
d4 .....		
d6 .....		
h1 .....		
h2 .....		
h3 .....		
h5 .....		
s1 .....		
s2 .....		
s3 .....		



**Packaging**

**Trays**

- Material:	carton <input type="checkbox"/>	plastic <input type="checkbox"/>
- Type:	only bottom <input type="checkbox"/>	bottom + top <input type="checkbox"/>
- Closure method:	shrink wrapped <input type="checkbox"/>	gummed paper <input type="checkbox"/> adhesive tape <input type="checkbox"/>

**Pallet**

- Material:	wood <input type="checkbox"/>	plastic <input type="checkbox"/>	aluminum <input type="checkbox"/>
- Type:	EUR <input type="checkbox"/>	EUR EPAL <input type="checkbox"/>	EUR EPAL ISPM-15 <input type="checkbox"/>
- Dimension:	80x120 cm <input type="checkbox"/>	100x120 cm <input type="checkbox"/>	other ..... <input type="checkbox"/>
- Height max:	105 cm <input type="checkbox"/>	115 cm <input type="checkbox"/>	other ..... <input type="checkbox"/>

**Transportation**

- Type:	track <input type="checkbox"/>	container <input type="checkbox"/>
- Double stacking allowed:	YES <input type="checkbox"/>	NO <input type="checkbox"/>

Date