



RFQ FORM
Dropper vial



Customer

Capacity [ml]

Glass type

Clear

Amber

Printed

Unprinted

External sil.

YES

NO

Internal treatment

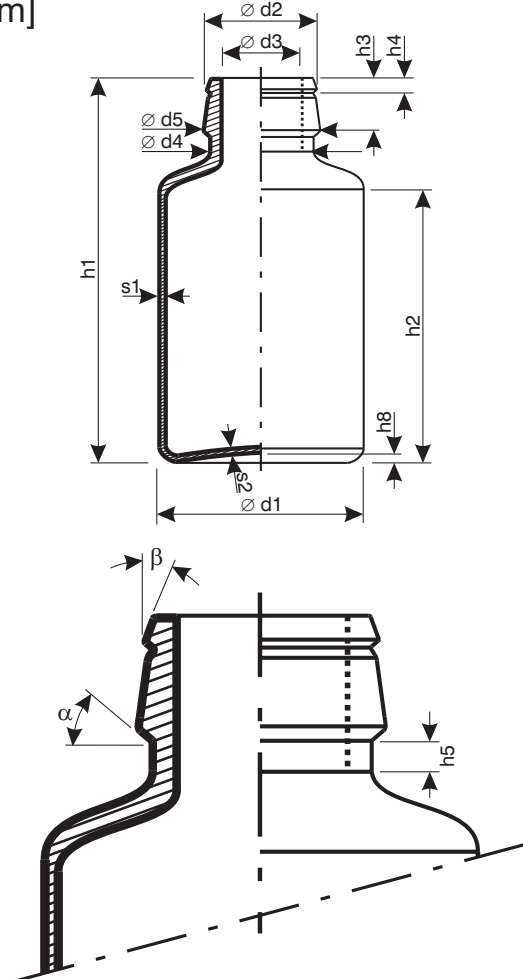
NA

SIL

SULPH

Dimensions [mm]

	min	max
d1		
d2		
d3		
d4		
d5		
h1		
h2		
h3		
h4		
h5		
h8		
s1		
s2		
α		
β		



Packaging

Trays

- Material: carton plastic
- Type: only bottom bottom + top
- Closure method: shrink wrapped gummed paper adhesive tape

Pallet

- Material: wood plastic aluminum
- Type: EUR EUR EPAL EUR EPAL ISPM-15
- Dimension: 80x120 cm 100x120 cm other
- Height max: 105 cm 115 cm other

Transportation

- Type: track container
- Double stacking allowed: YES NO

Date